

FIGURE 11B-307.4
VERTICAL CLEARANCE

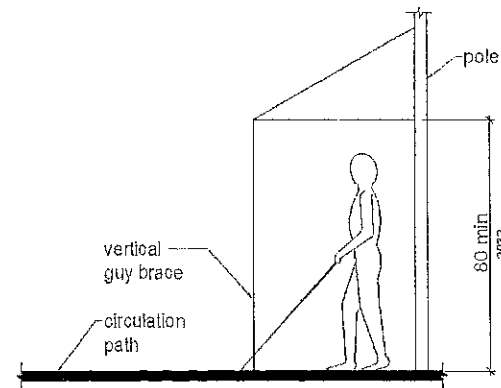


FIGURE 11B-307.4.1
GUY BRACES

11B-307.5 Required clear width. Protruding objects shall not reduce the clear width required for accessible routes.

11B-308 Reach ranges

11B-308.1 General. Reach ranges shall comply with Section 11B-308.

11B-308.1.1 Electrical switches. Controls and switches intended to be used by the occupant of a room or area to control lighting and receptacle outlets, appliances or cooling, heating and ventilating equipment, shall comply with Section 11B-308 except the low reach shall be measured to the bottom of the outlet box and the high reach shall be measured to the top of the outlet box.

11B-308.1.2 Electrical receptacle outlets. Electrical receptacle outlets on branch circuits of 30 amperes or less and communication system receptacles shall comply with Section 11B-308 except the low reach shall be measured to the bottom of the outlet box and the high reach shall be measured to the top of the outlet box.

11B-308.2 Forward reach.

11B-308.2.1 Unobstructed. Where a forward reach is unobstructed, the high forward reach shall be 48 inches (1219 mm) maximum and the low forward reach shall be 15 inches (381 mm) minimum above the finish floor or ground.

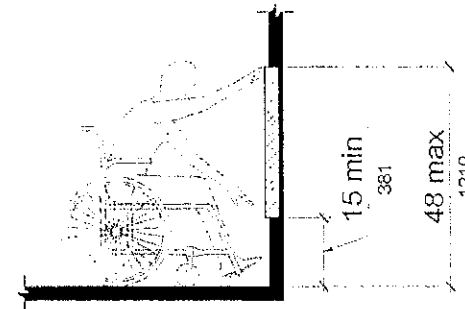


FIGURE 11B-308.2.1
UNOBSTRUCTED FORWARD REACH

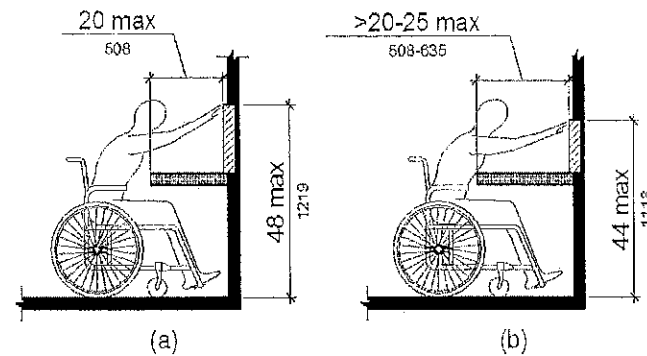


FIGURE 11B-308.2.2
OBSTRUCTED HIGH FORWARD REACH

11B-308.2.2 Obstructed high reach. Where a high forward reach is over an obstruction, the clear floor space shall extend beneath the element for a distance not less than the required reach depth over the obstruction. The high forward reach shall be 48 inches (1219 mm) maximum where the reach depth is 20 inches (508 mm) maximum. Where the reach depth exceeds 20 inches (508 mm), the high forward reach shall be 44 inches (1118 mm) maximum and the reach depth shall be 25 inches (635 mm) maximum.

11B-308.3 Side reach.

11B-308.3.1 Unobstructed. Where a clear floor or ground space allows a parallel approach to an element and the side reach is unobstructed, the high side reach shall be 48 inches (1219 mm) maximum and the low side reach shall be 15 inches (381 mm) minimum above the finish floor or ground.

Exceptions:

1. An obstruction shall be permitted between the clear floor or ground space and the element where the depth of the obstruction is 10 inches (254 mm) maximum.
2. Operable parts of fuel dispensers shall be permitted to be 54 inches (1372 mm) maximum measured from the surface of the vehicular way where fuel dispensers are installed on existing curbs.

11B-308.3.2 Obstructed high reach. Where a clear floor or ground space allows a parallel approach to an element and the high side reach is over an obstruction, the height of the obstruction shall be 34 inches (864 mm) maximum and the depth of the obstruction shall be 24 inches (610 mm) maximum. The high side reach shall be 48 inches (1219 mm) maximum for a reach depth of 10 inches (254 mm) maximum. Where the reach depth exceeds 10 inches (254 mm), the high side reach shall be 46 inches (1168 mm) maximum for a reach depth of 24 inches (610 mm) maximum.

Exceptions:

1. The top of washing machines and clothes dryers shall be permitted to be 36 inches (914 mm) maximum above the finish floor.
2. Operable parts of fuel dispensers shall be permitted to be 54 inches (1372 mm) maximum measured from the surface of the vehicular way where fuel dispensers are installed on existing curbs.

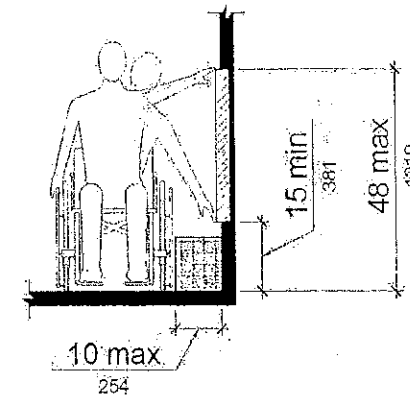


FIGURE 11B-308.3.1
UNOBSTRUCTED SIDE REACH

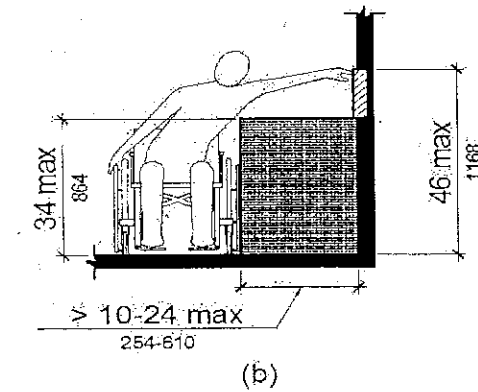
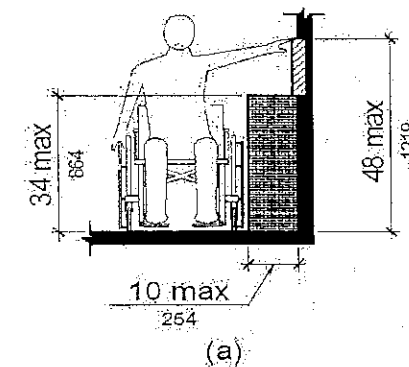


FIGURE 11B-308.3.2
OBSTRUCTED HIGH SIDE REACH

measured from the surface of the vehicular way where fuel dispensers are installed on existing curbs.

11B-308.4 Suggested reach ranges for children. Where building elements such as coat hooks, lockers, or operable parts are designed for use primarily by children, the suggested dimensions of Table 11B-308.4 shall be permitted. These dimensions apply to either forward or side reaches.

TABLE 11B-308.4
SUGGESTED DIMENSIONS FOR CHILDREN'S USE

SUGGESTED REACH RANGES FOR CHILDREN AGES 3 THROUGH 12			
Forward or Side Reach	Ages 3 and 4	Ages 5 through 8	Ages 9 through 12
High (maximum)	36 inches (914 mm)	40 inches (1016 mm)	44 inches (1118 mm)
Low (minimum)	20 inches (508 mm)	18 inches (457 mm)	16 inches (406 mm)

11B-309 Operable parts

11B-309.1 General. Operable parts shall comply with Section 11B-309.

11B-309.2 Clear floor space. A clear floor or ground space complying with Section 11B-305 shall be provided.

11B-309.3 Height. Operable parts shall be placed within one or more of the reach ranges specified in Section 11B-308.

11B-309.4 Operation. Operable parts shall be operable with one hand and shall not require tight grasping, pinching, or twisting of the wrist. The force required to activate operable parts shall be 5 pounds (22.2 N) maximum.

Exception: Gas pump nozzles and electric vehicle connectors shall not be required to provide operable parts that have an activating force of 5 pounds (22.2 N) maximum.